

Compressed Air Filter



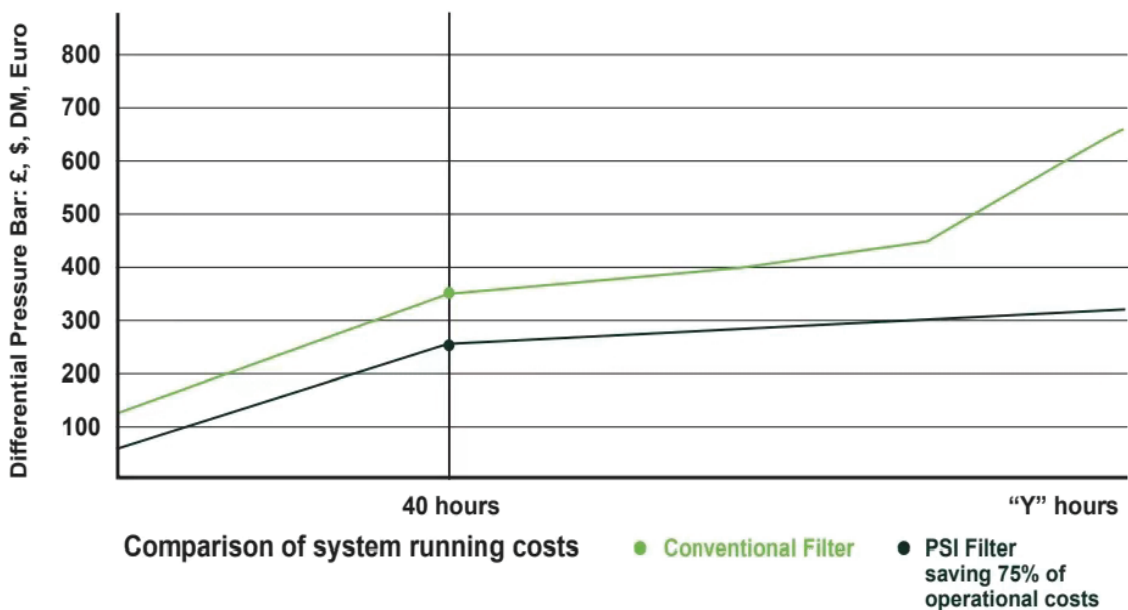
PSI Filter

PSI utilises a unique pleated process for filter elements. This unique process maintains pleat memory integrity (PMI) for consistent maximum flow.

The pleating process creates 4 times the surface area of a wrapped equivalent, using a hydrophobic media which enhances the dirt loading capacity before pressure loss increases, thus saving 75% of operational costs compared to a competitor filter.



PSI filter saves 75% operational costs



Make The Right Choice With Psi Alocrom Coated Housing For Optimum Results.

- Designed, Tested And Proved To Deliver Guaranteed Performance
- Long Life Elements
- Global Support
- Enhanced Suitability
- Excellent Compatibility
- Manufactured To ISO Standard
- Lifetime Guarantee
- Compatible With Mineral, Synthetic And Diester Based Oil



Designed to Suit Your Needs



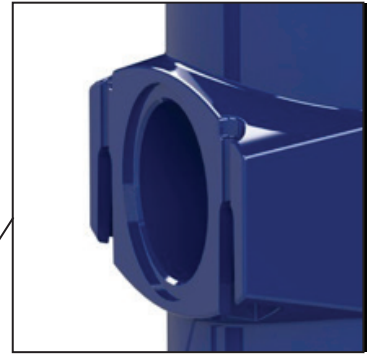
Visible Differential Pressure Indicator
Standard fitted PG60 – PG108



Differential Pressure Gauge
Standard fitted
PG216 – PG2400



Sight Glass Indicator
Standard fitted PG60 – PG2400



Available in variable
port sizes



High quality internal
mechanical float drain
Standard fitted PG60 – PG522



High quality external
mechanical float drain
Standard fitted PG60 – PG522,
PF792 – PF28080

PSI Filter Element

- Nitrile O Ring
Airtight Seal Prevents Contamination Bypass
- PBT Corrosion Resistant End Cap Can Withstand
Difficult Compressed Air Conditions
- Patented UV Resistant Drainage Layer Specially
Designed Drainage Layer To Prevent Oil
Re-Entrainment
- Twin Cylinder Construction
For Maximum Strength
- Pleated Filter Media
Using Unique Materials For Pleat Memory
Integrity (Pmi)



Third Party Certification by
AEA: Elements Performance
Validation Report

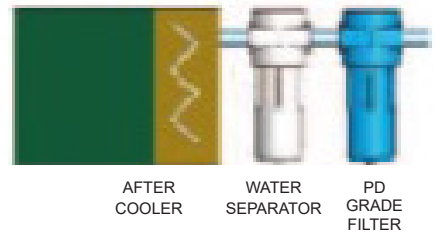
Installation Guideline

General Purposes Protection:

Air Quality to ISO8573.1 Class 3: -: 2

- Liquid and solid bulk containment removal
- General ring main protection
- Low cost automation
- Particle removal in dry systems
- Large pneumatic tools
- 'Oil Free Systems'
- Pre-filtration for refrigeration system
- Pre-filtration for grade PL high efficiency filter
- Pre-filtration for adsorption dryer

OIL FREE OR LUBRICATED COMPRESSOR

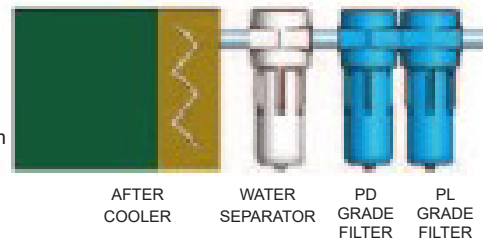


'Oil Free' Air:

Air Quality to ISO8573.1 Class 1: -: 1

- Oil free air
- Robotics
- Air logistics
- Fine pneumatics tools
- Instrumentation
- Spray painting
- Air gauging
- Air conveying
- Air bearings
- Air motors
- Pipeline purging
- Temperature control system
- Pre-filtration for adsorption dryer in contaminated system
- Pre-filtration for sterilisation filter in oil contaminated system

OIL FREE OR LUBRICATED COMPRESSOR

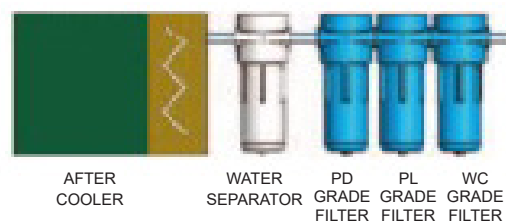


Critical Application:

Air Quality to ISO8573.1 Class 1: -: 1

- Highest quality -clean, oil and odour free air
- Breathing air (not when CO/CO2 removal required)
- Blow moulding
- Film processing
- Critical instrumentation
- Breweries production/packaging/transport
- Advanced pneumatics
- Air- blast circuits - breaker
- Foodstuff production/packaging

OIL FREE OR LUBRICATED COMPRESSOR



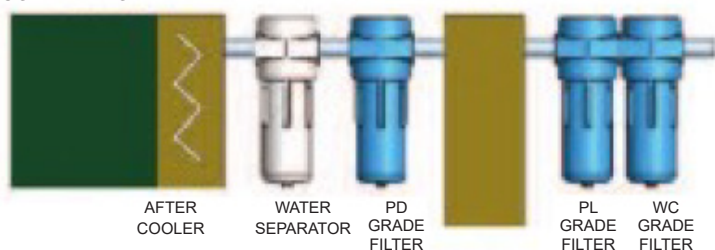
Reduced Dew Point System:

Air Quality to ISO8573.1 Class 1: 4: 1

Where dew point is not required to be less than -3 oC - 10 oC

OIL FREE OR LUBRICATED COMPRESSOR

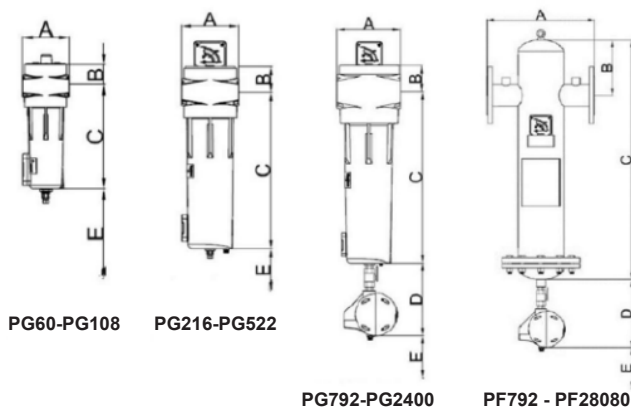
REFRIGERATION DRYER



Technical Data

Model	Air Connection	Nominal Flow Rate		Dimensions (mm)					Weight (kg)	Element
		cfm	m ³ /h	A	B	C	D	E		
PG60 (*)	Rc 1/2"	35	60	89	42	160	/	95	1.0	(*) 017
PG108 (*)	Rc 1/2"	64	108	89	42	193	/	130	1.5	(*) 030
PG216 (*)	Rc 3/4"	127	216	120	58	252	/	172	2.5	(*) 058
PG288 (*)	Rc 1"	169	288	120	58	352	/	272	3.2	(*) 145
PG522 (*)	Rc 1 1/2"	307	522	120	58	352	/	272	3.2	(*) 145
PG792 (*)	Rc 2"	466	792	162	74	424	180	320	6.6	(*) 220
PG1200 (*)	Rc 2"	706	1200	162	74	738	180	625	10.9	(*) 330
PG1548 (*)	Rc 3"	911	1548	200	90	488	180	400	12.9	(*) 430
PG2400 (*)	Rc 3"	1412	2400	200	90	749	180	625	17.5	(*) 620
PF792 (*)	DN50	466	792	353	188	661	125	100	46.0	(*) 220
PF1200 (*)	DN50	706	1200	353	188	961	125	400	51.0	(*) 330
PF1548 (*)	DN80	911	1548	379	215	823	200	650	58.0	(*) 430
PF2400 (*)	DN80	1412	2400	379	215	1013	200	650	65.0	(*) 620
PF3600 (*)	DN100	2119	3600	493	263	1119	200	650	115.0	3 x (*) 330
PF4800 (*)	DN125	2825	4800	617	290	1179	200	650	150.0	4 x (*) 330
PF7200 (*)	DN150	4237	7200	617	300	1207	200	650	195.0	6 x (*) 330
PF9000 (*)	DN200	5297	9000	666	343	1369	200	650	240.0	4 x (*) 620
PF12000 (*)	DN200	7062	12000	736	368	1459	200	650	380.0	5 x (*) 620
PF16800 (*)	DN250	9887	16800	796	420	1583	200	650	450.0	7 x (*) 620
PF18720 (*)	DN250	11017	18720	800	433	1552	200	650	455.0	8 x (*) 620
PF28080 (*)	DN300	16525	28080	906	476	1615	200	650	850.0	12 x (*) 620

(*) Replace with filtration grade required



PG Series: Aluminium die cast filter
PF Series: Carbon steel flange filter

Differential material and higher pressure available upon request

Filtration Grade

PSI Grade	Particle Removal μm	Remaining Oil (mg/m ³)
PF	25	-
PD	1	0.6
PL	0.01	0.01
WC	-	0.003

Correction factor for pressure barg

1	2	3	4	5	6	7	8
0.38	0.53	0.65	0.76	0.85	0.93	1.00	1.07
9	10	11	12	13	14	15	16
1.13	1.19	1.25	1.31	1.36	1.41	1.46	1.51

Stainless Steel Precision Air Filter



Strict Material Selection

Selected 304/316
stainless steel



Perfect Polishing Process



Advanced Welding Technology



Various Specification

Stainless Steel Filter (Threaded)

Model	Nominal Flow Rate m ³ /Min	Air Connection Size	Working Pressure	Intake Temperature	Size(mm)			Filter Element	
					A	B	C	Model	Quantity
PSG60**	1	G1"	1.0 Mpa	≤80 °C	365	150	76	PHK16**	1
PSG120**	2	G1"	1.0 Mpa	≤80 °C	365	150	76	PHK20**	1
PSG180**	3	G1 1/2"	1.0 Mpa	≤80 °C	402	160	89	PHK24**	1
PSG300**	5	G1 1/2"	1.0 Mpa	≤80 °C	512	160	89	PHK28**	1
PSG420**	7	G1 1/2"	1.0 Mpa	≤80 °C	572	160	89	PHK32**	1
PSG600**	10	G2"	1.0 Mpa	≤80 °C	702	210	102	PHK30**	1
PSG900**	15.0	G2"	1.0 Mpa	≤80 °C	828	333	133	PHK40**	1
PSG1200**	20.0	G2 1/2"	1.0 Mpa	≤80 °C	702	210	102	PHK44**	1

Stainless Steel Filter (Flange)

Model	Nominal Flow Rate m ³ /Min	Air Connection Size	Working Pressure	Intake Temperature	Size(mm)			Filter Element	
					A	B	C	Model	Quantity
PSF60**	1	DN25	1.0 Mpa	≤80 °C	365	150	76	PHK16**	1
PSF120**	2	DN25	1.0 Mpa	≤80 °C	365	150	76	PHK20**	1
PSF180**	3	DN40	1.0 Mpa	≤80 °C	402	160	89	PHK24**	1
PSF300**	5	DN40	1.0 Mpa	≤80 °C	512	160	89	PHK28**	1
PSF420**	7	DN40	1.0 Mpa	≤80 °C	572	160	89	PHK32**	1
PSF600**	10	DN50	1.0 Mpa	≤80 °C	702	210	102	PHK30**	1
PSF900**	15	DN50	1.0 Mpa	≤80 °C	828	333	133	PHK40**	1
PSF1200**	20	DN65	1.0 Mpa	≤80 °C	702	210	102	PHK44**	1
PSF1500**	25	DN80	1.0 Mpa	≤80 °C	802	380	159	PDH430**	1
PF2100**	35	DN80	1.0 Mpa	≤80 °C	1000	380	159	PDH620**	1
PF2400**	40	DN100	1.0 Mpa	≤80 °C	1000	380	159	PDH620**	1
PF2700**	45	DN100	1.0 Mpa	≤80 °C	1200	380	159	PDH620**	1



PSI Filtration Technology Co. Ltd

Glenarm Road, Wynyard Park,
Stockton-on-Tees, TS22 5FE, UK

Asia Contact: +65 9752 8469

www.psiair.co.uk / www.topsifilter.com



INVESTORS
IN PEOPLE



PSI reserve the right to change the specifications without prior notice.

Published version: 1804